

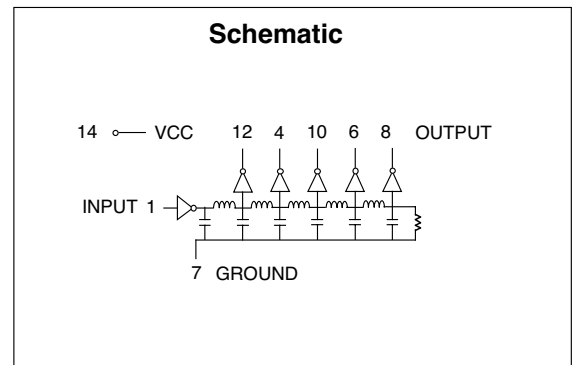
14 Pin DIP and SMD 5 Tap Both Edges Controlled Fast Logic TTL Compatible Active Delay Lines

Compatible with standard auto-insertable equipment and can be used in either infrared or vapor phase process.

Input to Tap $\pm 5\%$ or $\pm 2nS\ddagger$ Tap to Tap $\pm 7\%$ or $\pm 2nS\ddagger$ Tap		DIP Part Number	SMD Part Number	Input to Tap $\pm 5\%$ or $\pm 2nS\ddagger$ Tap to Tap $\pm 7\%$ or $\pm 2nS\ddagger$ Tap		DIP Part Number	SMD Part Number
5, 10, 15, 20	25	EPA3507-25	EPA3507G-25	40, 80, 120, 160	200	EPA3507-200	EPA3507G-200
6, 12, 18, 24	30	EPA3507-30	EPA3507G-30	45, 90, 135, 180	225	EPA3507-225	EPA3507G-225
7, 14, 21, 28	35	EPA3507-35	EPA3507G-35	50, 100, 150, 200	250	EPA3507-250	EPA3507G-250
8, 16, 24, 32	40	EPA3507-40	EPA3507G-40	60, 120, 180, 240	300	EPA3507-300	EPA3507G-300
9, 18, 27, 36	45	EPA3507-45	EPA3507G-45	70, 140, 210, 280	350	EPA3507-350	EPA3507G-350
10, 20, 30, 40	50	EPA3507-50	EPA3507G-50	80, 160, 240, 320	400	EPA3507-400	EPA3507G-400
12, 24, 36, 48	60	EPA3507-60	EPA3507G-60	84, 168, 252, 336	420	EPA3507-420	EPA3507G-420
15, 30, 45, 60	75	EPA3507-75	EPA3507G-75	88, 176, 264, 352	440	EPA3507-440	EPA3507G-440
20, 40, 60, 80	100	EPA3507-100	EPA3507G-100	90, 180, 270, 360	450	EPA3507-450	EPA3507G-450
25, 50, 75, 100	125	EPA3507-125	EPA3507G-125	84, 188, 282, 376	470	EPA3507-470	EPA3507G-470
30, 60, 90, 120	150	EPA3507-150	EPA3507G-150	100, 200, 300, 400	500	EPA3507-500	EPA3507G-500
35, 70, 105, 140	175	EPA3507-175	EPA3507G-175				

\ddagger Whichever is greater. Delay measured @ 1.5V levels on leading and trailing edge w/ 15pF load on taps.
Rise and Fall Time measured from 0.75 to 2.4V level.

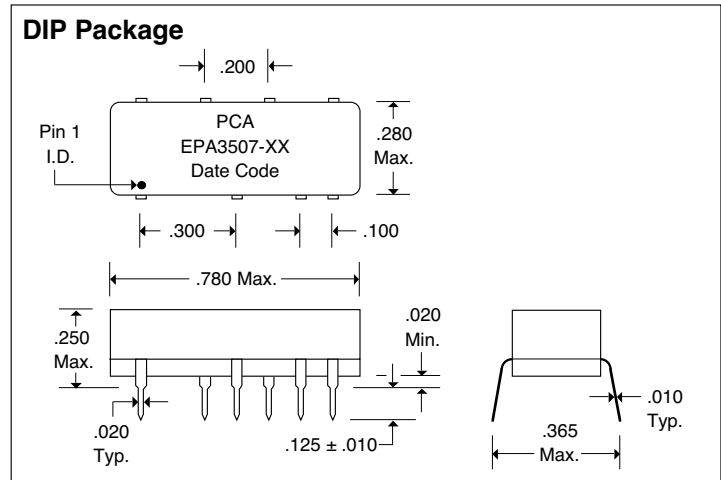
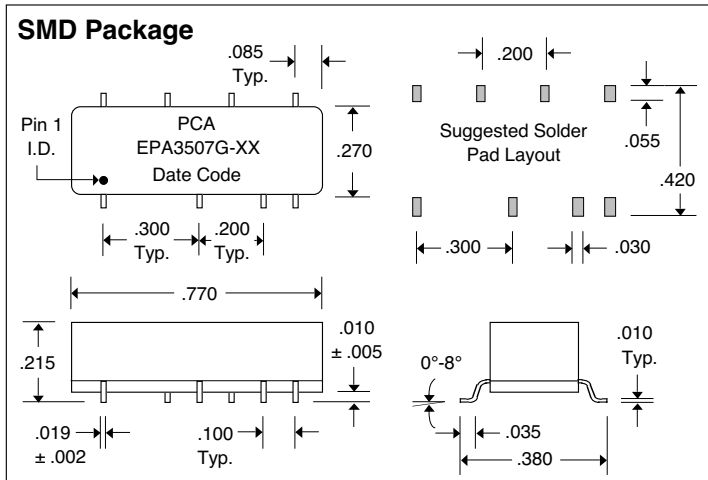
Electrical Characteristics				
Parameter	Test Conditions	Min.	Max.	Unit
V_{OH}	High-Level Output Voltage	$V_{CC} = \text{Min. } V_{IL} = \text{Max. } I_{OH} = \text{Max.}$	2.7	V
V_{OL}	Low-Level Output Voltage	$V_{CC} = \text{Min. } V_{IH} = \text{Min. } I_{OL} = \text{Max.}$	0.5	V
V_{IK}	Input Clamp Voltage	$V_{CC} = \text{Min. } I_I = I_{IK}$	-1.2	V
I_{IH}	High-Level Input Current	$V_{CC} = \text{Max. } V_{IN} = 2.7V$	20	μA
I_{IL}	Low-Level Input Current	$V_{CC} = \text{Max. } V_{IN} = 0.5V$	-0.6	mA
I_{OS}	Short Circuit Output Current	$V_{CC} = \text{Max. } V_{OUT} = 0.$ (One output at a time)	-60	mA
I_{CCH}	High-Level Supply Current	$V_{CC} = \text{Max. } V_{IN} = \text{OPEN}$	25	mA
I_{CCL}	Low-Level Supply Current	$V_{CC} = \text{Max. } V_{IN} = 0$	40	mA
T_{RO}	Output Rise Time	$T_d \leq 500 \text{ nS (0.75 to 2.4 Volts)}$ $T_d > 500 \text{ nS}$	4	nS
N_H	Fanout High-Level Output	$V_{CC} = \text{Max. } V_{OH} = 2.7V$	20	TTL LOAD
N_L	Fanout Low-Level Output	$V_{CC} = \text{Max. } V_{OL} = 0.5V$	10	TTL LOAD
T_C	Temp. Coeff. of Total Delay	$100 + (25000/TD) \text{ PPM}/^\circ C$		
T_{STG}	Storage Temp. Range	$-20^\circ C \text{ to } +100^\circ C$		



Recommended Operating Conditions				
Parameter	Test Conditions	Min.	Max.	Unit
V_{CC}	Supply Voltage	4.75	5.25	V
V_{IH}	High-Level Input Voltage	2.0		V
V_{IL}	Low-Level Input Voltage		0.8	V
I_{IK}	Input Clamp Current		-18	mA
I_{OH}	High-Level Output Current		-1.0	mA
I_{OL}	Low-Level Output Current		20	mA
PW^*	Input Pulse Width of Total Delay	40		%
d^*	Duty Cycle		50	%
T_A	Operating Free-Air Temperature	0	+70	$^\circ C$

*These two values are inter-dependent.

Input Pulse Test Conditions @ 25° C			
Parameter	Test Conditions	Value	Unit
E_{IN}	Pulse Input Voltage	3.2	Volts
P_W	Pulse Width 1.2X Total Delay	---	nS
T_{RI}	Pulse Rise Time (10 - 90%)	3.0	nS
P_{RR}	Pulse Repetition Rate 4X P_W	---	MHz
V_{CC}	Supply Voltage	5.0	Volts



DSA3507G-XX & DSA3507-XX Rev. - 7/22/98

QAF-CSO1 Rev. B 8/25/94

Unless Otherwise Noted Dimensions in Inches
Tolerances:
Fractional = $\pm 1/32$
.XX = $\pm .030$.XXX = $\pm .010$



16799 SCHOENBORN ST.
NORTH HILLS, CA 91343
TEL: (818) 892-0761
FAX: (818) 894-5791